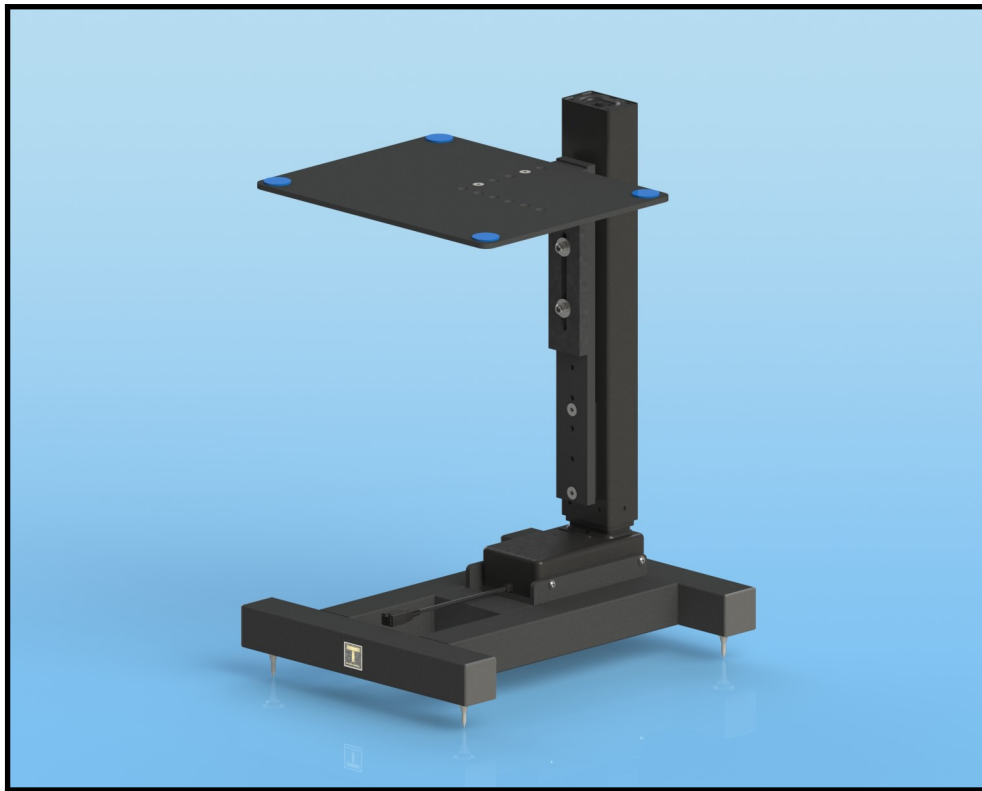


Sound Anchors

Adjustable Start Motorized Stand

Instructions



Sound Anchors
2835 Kirby Circle NE Unit # 110
Palm Bay, FL 32905
(321) 724-1237
Email: info@soundanchors.com
www.soundanchors.com

Thank you for purchasing Sound Anchors adjustable start motorized speaker stands. Motorized speaker stands allow you to easily adjust the height of your studio monitors or speakers with precision. This feature is particularly useful for optimizing the listening position, ensuring that the sound reaches your ears at the desired level. With motorized controls, you can raise or lower your speakers at the touch of a button. This eliminates the need for manual adjustment or using tools, saving you time and effort during setup or when experimenting with different speaker placements. Since many different sizes of people work in the studio, by having the ability to adjust the height of your speakers effortlessly, you can achieve better ergonomic positioning in your studio environment. Speaker positioning plays a crucial role in achieving optimal sound quality and imaging. Motorized stands allow you to fine-tune the speaker placement, ensuring accurate stereo imaging, proper soundstage, and minimizing undesirable acoustic effects such as phase cancellation or reflections. Motorized stands offer flexibility in adapting to different scenarios. You can quickly adjust the height to accommodate standing or seated positions, change the speaker height to match different studio setups, or even lower them for easier storage or transportation.

Hardware Inventory

4 ea. Black & Bluedots

2 ea. 1/4-20 x 5/8 flat head soc head cap screw

2 ea. M8 x 16 flat head soc head cap screw (already installed)

4 ea. M6 x 20 button head soc head cap screw

4 ea. 3/8 in. flat washer

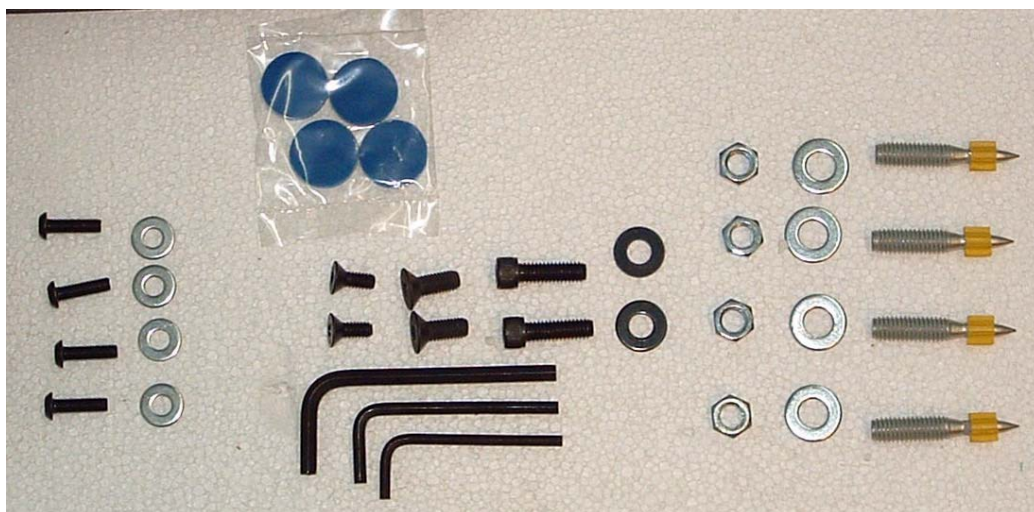
4 ea. 3/8-16 jam nut

4 ea. 3/8-16 spikes

2 ea. 5/16-18 x 1 socket head cap screw

2 ea. 5/16 flat washer

4 ea. 1/4 flat washer



Stand Parts

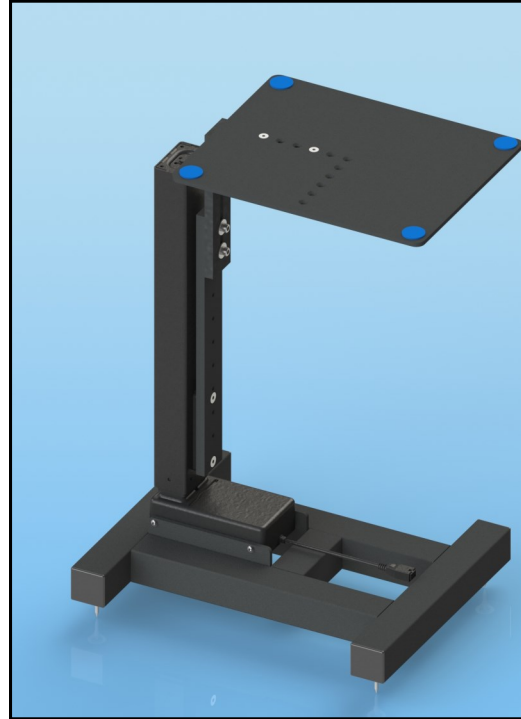
- 1 Base Weldment
- 1 Speaker Platform
- 1 Speaker Platform Arm Weldment
- 1 Speaker Adjuster Bar

Electrical Parts

- 1 Lift Motor
- 1 Control Box (may be shared)
- 1 Remote Switch (1 per Control Box)
- 1 Motor Control Cable (1 per Motor)
- 1 Power Cable (1 per Control Box)

Tools

- 1/4" Hex Key
- 3/16" Hex Key
- 5/32" Hex Key



Assembly Instructions

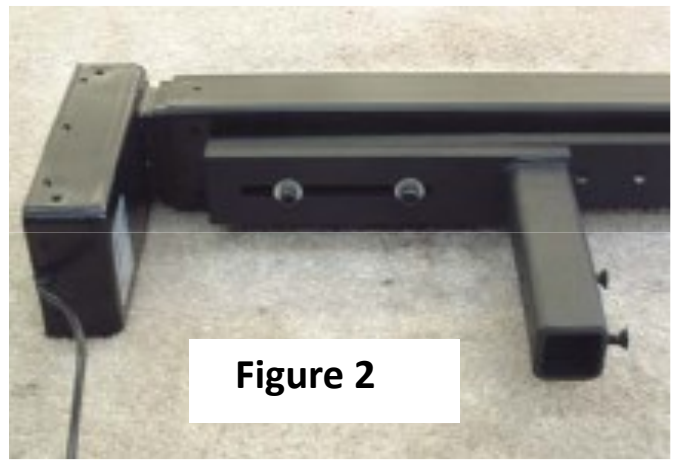
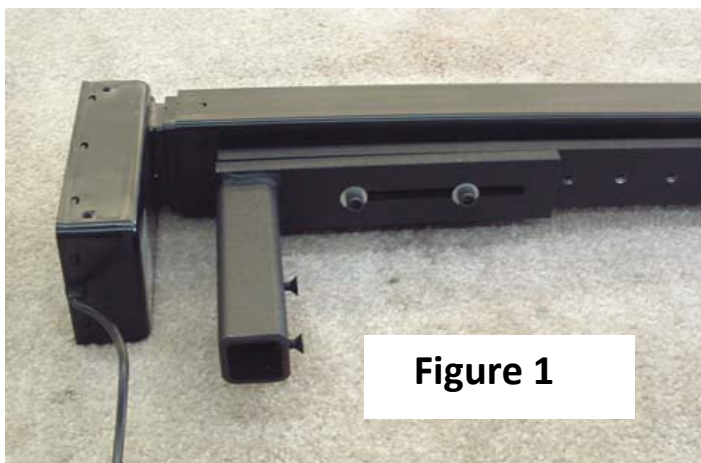
1. Install one spike into each insert on the bottom of the stand so that about 1/2" of thread is left protruding from the stand.
2. Install washers and jam nuts (***Finger tighten jam nuts — use no tools.***)
3. Mount the platform assembly using 5/16-18 X 1" socket head cap screw and 5/16 washers. Lightly tighten using provided 1/4" hex key.
4. Place stand in the intended use location.
5. Level the stand using the spikes so that the upright is perpendicular to the floor
6. Tighten jam nuts using 9/16" wrench.

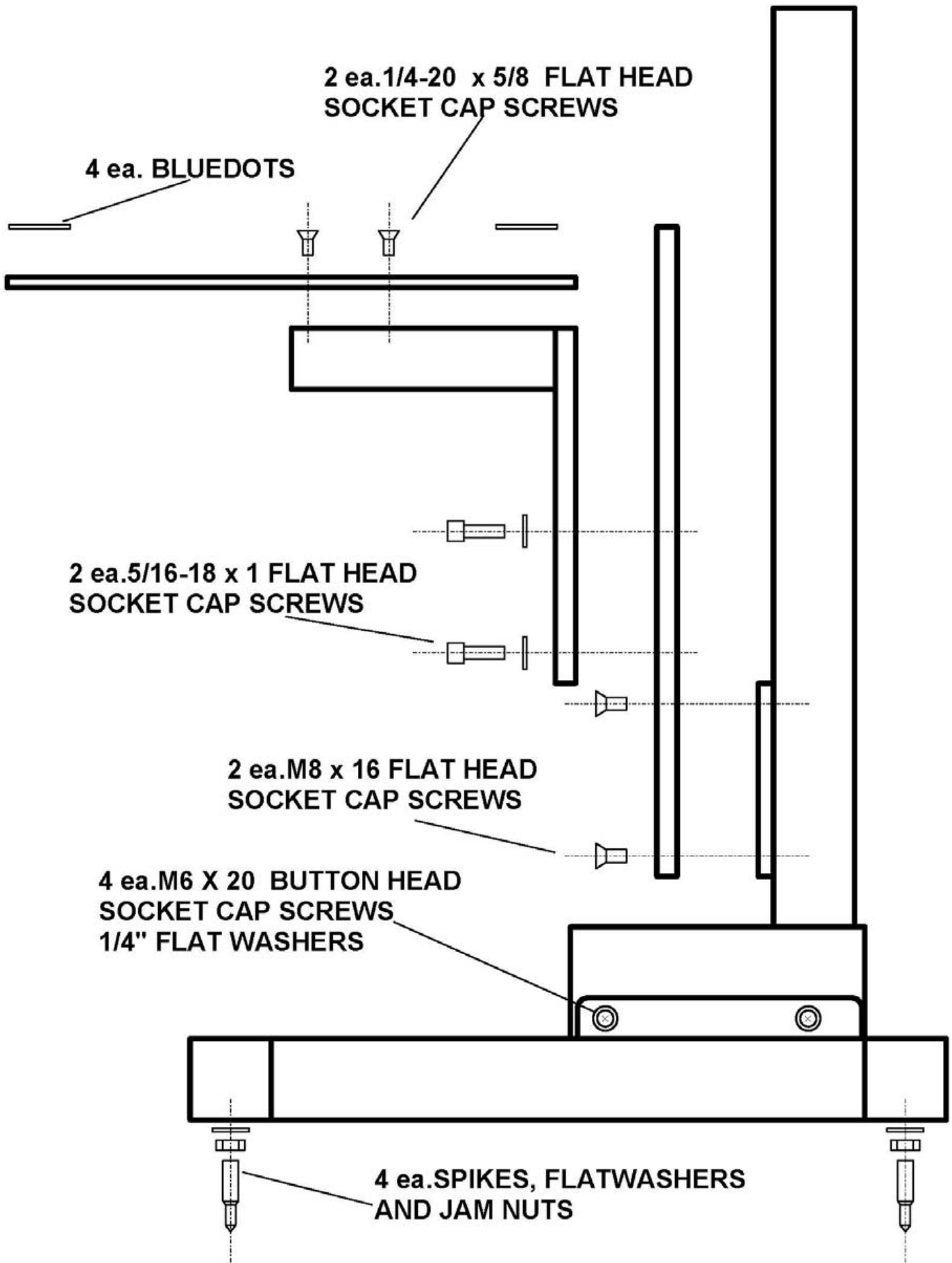
Motor Installation

1. Position the motors as shown on Page 4 of these instructions so that the four holes on the motor mounting tabs line up with the four M6 threaded holes in the motor base.
2. Fasten the stand base to the motor base using four M6 X 20 button head socket cap screws with the 1/4" flat washers. **Finger tighten only.**
3. Tighten the screws with the provided hex wrench until they are just snug. **Take care to not overtighten.**

Installing the Speaker Platforms

1. Install the speaker mounting arms to the upright, fasten with 5/16-18 X 1" socket head cap screws and the 5/16 flat washers. Note that there are two set-up options — see Figures 1 and 2 below. You may use any of the threaded holes on the mounting bar but it is preferable to have one or two blank holes between them. The holes are for coarse height adjustment, the slots in the arm allow fine adjustment.
2. Fasten the speaker platform to the arm using two 1/4-20 X 5/8" flathead socket cap screws.





Putting your Stands in Motion

1. Connect all wiring as shown on the diagram on Page 6. Note if you have more than one motor all motors must be connected before powering up or none will work.
2. After everything is connected together and plugged in, hold the down button for 45 seconds. This is an initial start procedure that syncs the motor with the controller.
3. Remove the plastic film from the blue side of the black and blue dots and place blue side on the platform. The speaker should rest on the black side of the Sorbothane pad. Place one black and blue dot on each corner of the speaker platform.
4. Place the speaker on top of the platform. Take care that the speaker baffle is forward of the front edge of the speaker platform so that there are no edge diffractions.
5. You might need to adjust the platform height in order to get the desired start height.

Important Black & Blue Dot Guidelines

Sound Anchors' Black & Blue Dots are made of urethane coated Sorbothane. Sorbothane is unique in that it absorbs motion in all directions making it an ideal isolation material between speakers and stands. Black & Blue Dots do not have adhesive on them. The blue side should be placed on the stand and the black side should be placed under the speaker. However, under the weight of the speaker and over time they will compress and become gummy and possibly discolor or mar the finish on the bottom of the speaker. Under certain conditions they may also adhere to the bottom of your speakers, causing difficulty in removing or repositioning the speaker. The urethane coating has been added to help alleviate this issue.

Care should be used when removing speakers from the stands as to avoid damaging the bottom of the speaker. It is recommended that a thin blade (i.e. putty knife) be slid in between the speaker and the platform to break the adhesion and dislodge the Black & Blue Dot. Black & Blue dots should not be used on speakers with a lacquer finish. These surfaces are highly susceptible to marring from use of the Black & Blue dots.

Sound Anchors Motorized Adjustable Start Wiring Diagram





Sound Anchors®

SOUND ANCHORS

Studio Solutions



ADJ1 & ADJ2

Adjustable stands designed to support near field monitors above the meter bridge.

- Adjustable height & tilt
- 44" or 56" uprights
- ADJ1 base is 14" x 17"
- ADJ2 base is 17" x 24"



ADMID

Large adjustable stands designed to support larger midfield and main monitors where they sound the best

- Adjustable height
- 46" or 56" uprights
- Adjustable tilt
- Cust. width to match monitor



ADJ3

Adjustable stands designed to support 2 near field monitors behind the recording console.

- Adjustable height & tilt
- 44" or 56" uprights
- 23" x 17" base



ADJ4

Adjustable stands designed to support near field monitors above the meter bridge. When there is only 2.75" to 5" between console and the wall.

- 44" or 56" uprights
- Uprights move left / right for best positioning
- Standard base is 17" x 23"



Compact ADJ

Adjustable monitor stand designed for tight spaces between the control surface and the wall.

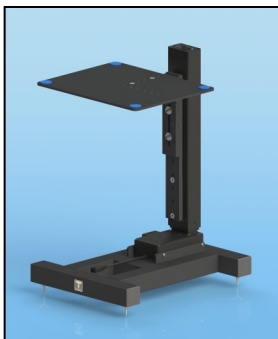
- Height adjustable, 35" - 42"
- 14" x 10" base
- Ideal for speakers 10" x 10" or smaller



DAW

Digital audio workstation stands are sturdy and durable. Options:

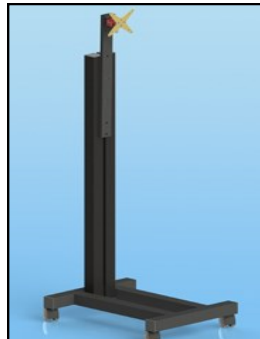
- 1 or 2 monitor supports
- Multiple platforms
- Music keyboard support
- Taller upright for standing applications



Motorized ADJ

Motorized adjustable height stands designed to allow the near field monitors to be hidden when not in use.

- 25.5" of height travel
- Setup as low as 7"
- Max height 51"



LCD Stand

Designed to support VESA compliant LCD or computer monitors.

- LCD1: 14"x17" base, 44" tall
- LCD2: 17"x23" base, 44" tall
- LCD3: 36"x24" base, 60" or 72" tall
- Floor interface is spikes, casters or leveling pads

Sound Anchors

2835 Kirby Circle NE, Suite 110, Palm Bay, FL. 32905

Phone: 321-724-1237 Fax: 321-914-0953

Email: info@soundanchors.com