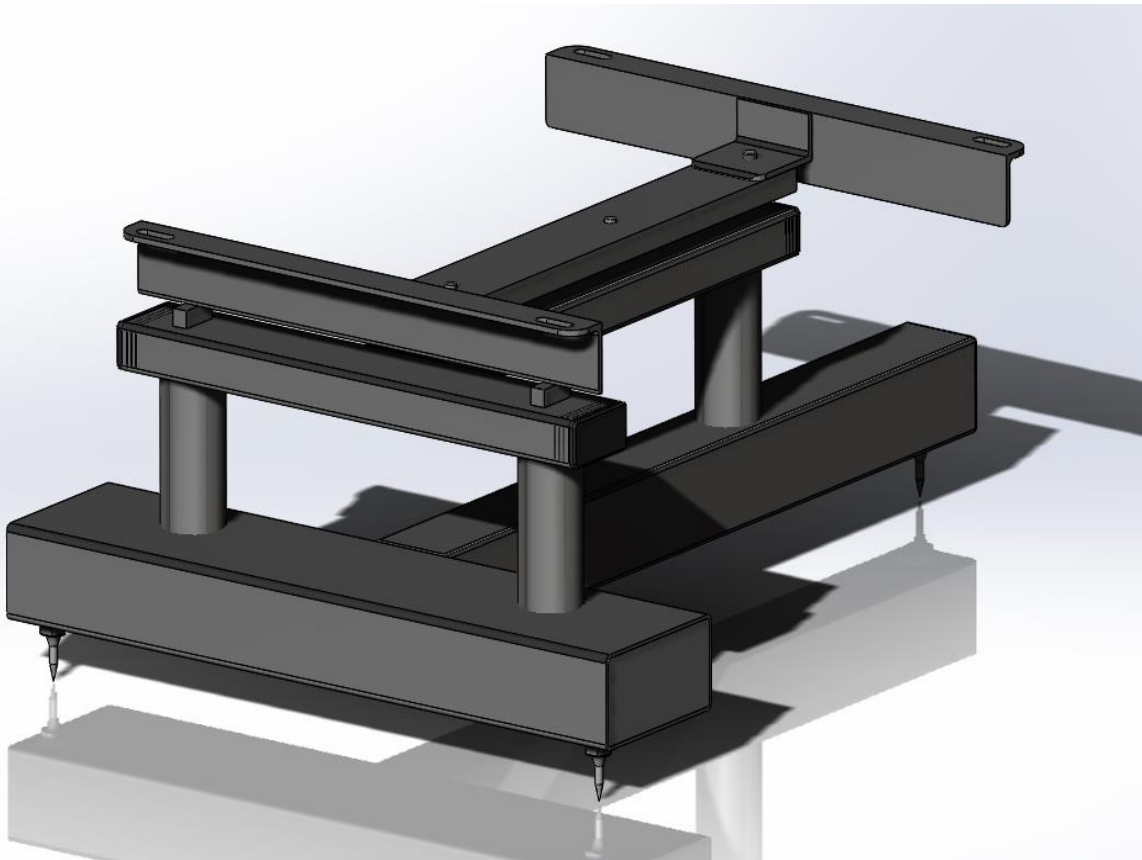


Sound Anchors B&W 801 SII Instructions



Sound Anchors

2835 Kirby Cir NE Unit 110

Palm Bay, FL 32905

321-724-1237 Office@soundanchors.com www.soundanchors.com

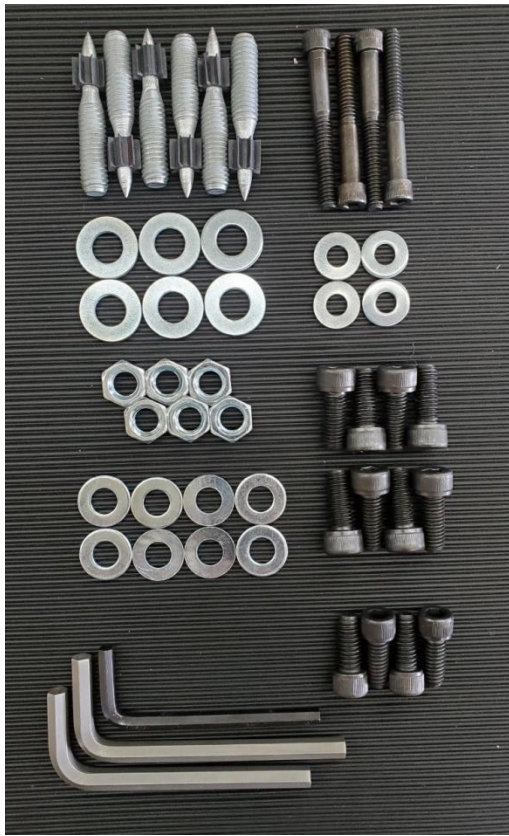
Sound Anchors B&W 801 SII Stands

Sound Anchors manufactures two different stands for the B&W 801 Matrix Speakers. The 801 SIII stand is made to fit the B&W 801 SIII speakers. The 801 SII stand will fit any B&W 801 speaker that is produced prior to the Series III. This includes 801 F, 801 Series 80, 801 Matrix SII, and the Anniversary Edition speakers. The 801 SIII stands will not fit 801 SII or prior models.

This instruction packet is for the 801 SII set of speaker stands. Sound Anchors 801 stands are a necessity if you wish to extract all of the performance that your speakers have to offer. The first thing that you notice when you get your 801s off the floor and onto Sound Anchors Stands is that your bass becomes noticeably tighter and less one note in nature. When you improve the bottom end, all other aspects of the speaker's performance will improve along with it.

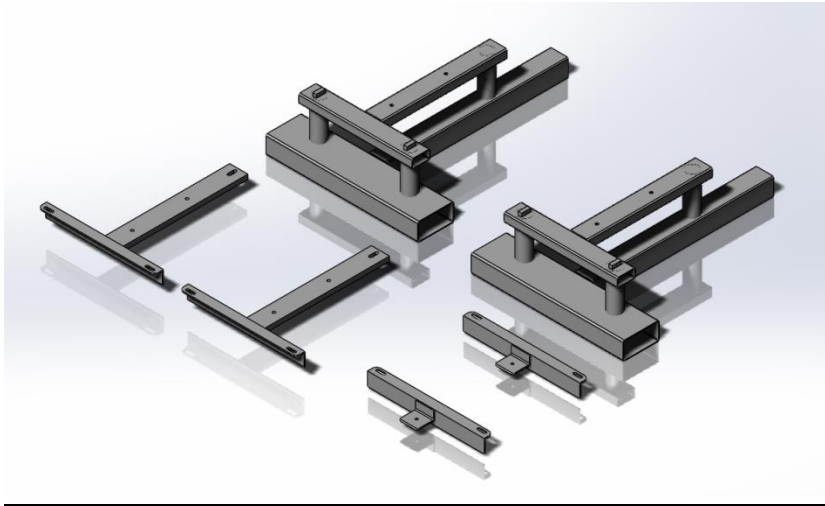
Sound Anchors 801 Matrix Stands fasten to your speakers using the existing threaded inserts that are provided on the bottom of the speakers (fasteners are provided). If you have pre-matrix speakers, they can be fastened to the stands with lag bolts, which are not included.

HARDWARE:



- 6 ea. 3/8-16 Spikes
- 6 ea. 3/8-16 Jam Nuts
- 6 ea. 3/8 Flat Washers
- 4 ea. 1/4-20 x 2 Socket Head Cap Screws
- 4 ea. 1/4" Flat Washers
- 8 ea. M8 x 20 Socket Head Cap Screws
- 8 ea. 5/16 Flat Washers
- 2 ea. 5/16-18 x 3/4 Socket Head Cap Screws (Installed)
- 1 ea. 3/16" Hex Key
- 1 ea. 1/4" Hex Key
- 1 ea. 6mm Hex Key

Parts List:



2ea B&W 801 SII Bases

2ea Front Angle Bars

2ea Rear Angle Bar

The Front and Rear angle bars will come pre-assembled.

Assembly:

1. Lay the speaker on its side on a blanket or carpeted surface.
2. Remove the crossover cover from the speaker bottom. It is no longer needed, but it is a good idea to save it.
3. Assemble the upper section of the stand using a 5/16 -18 x 3/4 Socket Head Cap Screw. Leave the screw finger tight. These parts should already be preassembled. If they are tightened down more than finger tight, loosen them.
4. Fasten the upper section of the speaker stand to the speaker using M8 x 20 Socket Head Cap Screws and 5/16 Flat Washers. Now tighten the 5/16 screws from the previous step.
5. Install 3/8-16 Spikes, 3/8-16 Jam Nuts, and 3/8 flat washers by threading them into the threaded inserts on the bottom of the stands. Screw them in so that there is just enough thread for the jam nut and washer sticking out. Do not tighten the jam nut.
6. Place the lower section of the speaker stand close to the desired location.
7. Lift the speaker and place on the stand so that the upper section rests on the rectangular bars on top of the front cross bar.
8. Gently slide the speaker around until the 1/4-20 mounting holes line up with the holes in the upper section of the stand.
9. Install 1/4-20 x 2 Socket Head Cap Screws with 1/4 flat washers and tighten.
10. Repeat steps 1 through 9 on speaker #2.

11. You may now fine tune your speaker position by rocking the speakers onto one spike and walking them.
12. Level the speakers by threading the spikes out.
13. Tighten the Jam nuts on the spikes.
14. Sit back and enjoy.

Thank you for choosing Sound Anchors to bring out the most of your speakers. We know you will love the look and performance of the stand for years to come. If you have any questions about the stands or assembly, feel free to contact us at (321) 724-1237 or by email at Office@soundanchors.com.