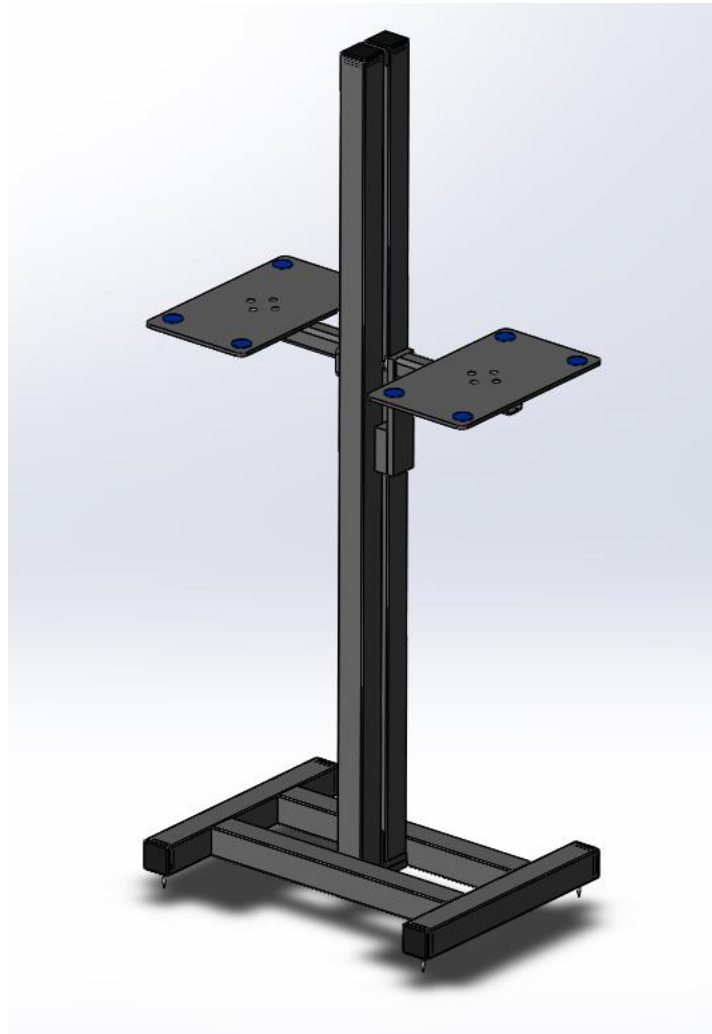


Sound Anchors ADJ3 Instructions

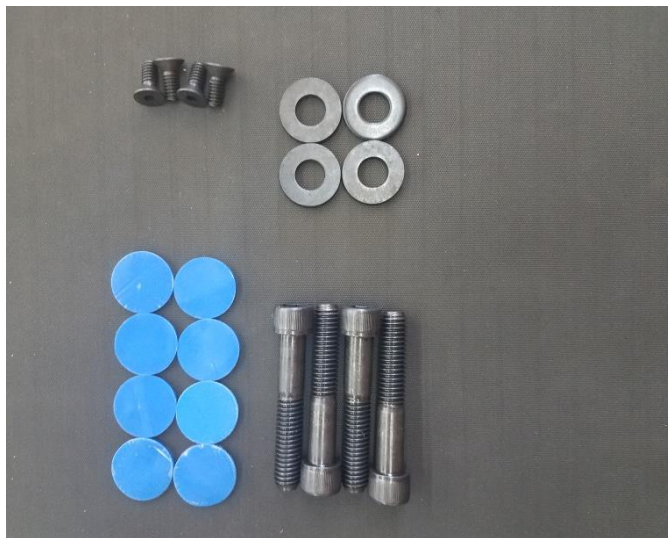


Sound Anchors
2835 Kirby Cir NE Unit 110
Palm Bay, FL 32905
321-724-1237

Office@Soundanchors.com www.soundanchors.com

Sound Anchors ADJ3 Adjustable Speaker Stands

Thank you for choosing Sound Anchors stands for your studio. Our speaker stands can play a key role in studio recordings by helping to ensure accurate and precise sound reproduction. Also, by providing a stable and isolated platform for the speakers, our stands can help reduce unwanted resonance and distortion, improve imaging and bass response, and create a cleaner, clearer sound. Please take the time to carefully read these instructions before assembling your stands. The hardware is split between 2 boxes.



Hardware Inventory 1:

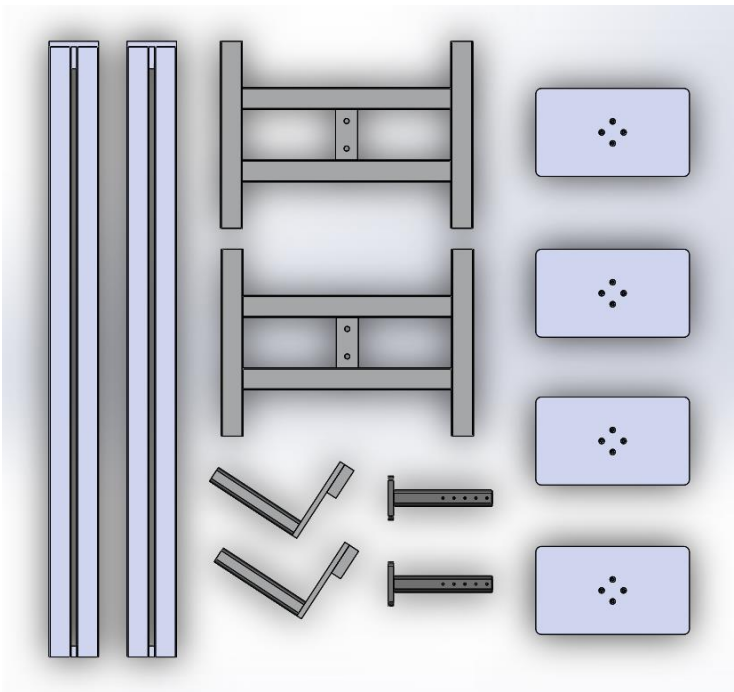
- 8 ea. 3/8-16 Spikes
- 8 ea. 3/8-16 Jam Nuts
- 8 ea. 3/8 Flat Washers
- 8 ea. Black & Blue Dots
- 2 ea. 7/16-14 x 2.5 Socket Head Cap Screws
- 2 ea. 7/16 Black Hardened Washer
- 4. ea. 7/16-14 x 1 Flat Head Cap Screws
- 4 ea. 1/4-20 x 5/8 Flat Head Cap Screws
- 3/8 Hex Wrench
- 1/4 Hex Wrench
- 5/32 Hex Wrench

Hardware Inventory 2:

- 8 ea. Blue Dots
- 4 ea. 7/16-14 x 2.5 Socket Head Cap Screws
- 4 ea. 7/16 Black Hardened Washers
- 4 ea. 1/4-20 x 5/8 Flat Head Cap Screws

Sound Anchors ADJ3 Parts List

- 2 ea. ADJ3 Bases
- 2 ea. ADJ 56" Uprights
- 2 ea. ADJ 9.5" R Stalk
- 2 ea. ADJ3 R Stalk
- 4 ea. 10 x 14 Platforms



The parts listed are for a "standard" version of the ADJ3 Stands.

Assembly:

1. Fasten the base to the upright using 2 ea. 7/16-14 x 1 Flat Head Cap Screws as shown in Figure 1.

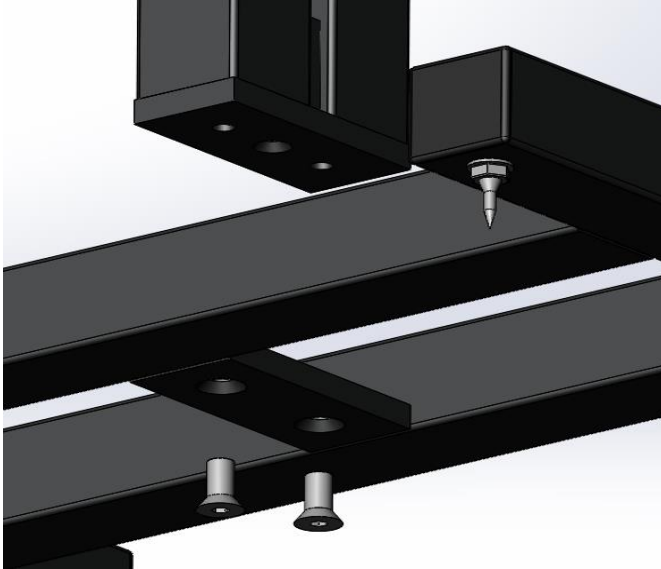


Figure 1

2. Install spikes, washers and jam nuts into the four threaded holes in the stand's base. Insert the spike so that there are 1 or 2 threads visible after the jam nuts are set. **Jam nuts should be finger tightened only – no tools.**
3. Use one 9.5" R stalk and one ADJ3 R stalk per stand. The ADJ3 R Stalk is offset so you can keep the 2 platforms at the same height. Fasten the R Stalks to the upright using 3 ea. 7/16-14 x 2.5 Socket Head Cap Screws and 3 ea. 7/16 Black Hardened Washers as shown in Figure 2.



Figure 2

4. After deciding the location where you will be setting up your stands, it is time to adjust their level. With the stand in its operational position in the room, place a magnetic torpedo level vertically on the front face of the upright. Tighten the jam nuts with a 9/16 wrench when the stand is level.
5. Adjust the platforms to the desired height.
6. Remove the protective coating from the blue side of the Black & Blue dot and place blue side down on the platform. The speaker should rest on the black side of the Sorbothane pad. Place one Black & Blue dot on each corner of the platforms.
7. Place the speakers on the platforms so that the front of the speaker extends over the front edge of the platform.

Important Black & Blue Dot Guidelines

Sound Anchors' Black & Blue Dots are made of urethane coated Sorbothane. Sorbothane is unique in that it absorbs motion in all directions making it an ideal isolation material between speakers and stands. Black & Blue Dots do not have adhesive on them. The blue side should be placed on the stand and the black side should be placed under the speaker. However, under the weight of the speaker and over time they will compress and become gummy and possibly discolor or mar the finish on the bottom of the speaker. Under certain conditions they may also adhere to the bottom of your speakers, causing difficulty in removing or repositioning the speaker. The urethane coating has been added to help alleviate this issue.

Care should be used when removing speakers from the stands as to avoid damaging the bottom of the speaker. It is recommended that a thin blade (i.e. putty knife) be slid in between the speaker and the platform to break the adhesion and dislodge the Black & Blue Dot. Black & Blue dots should not be used on speakers with a lacquer finish. These surfaces are highly susceptible to marring from use of the Black & Blue dots.

ADJ3 Stands

If you are looking to use more than one set of small to medium speakers, the ADJ3 will give you the ability to mount them on 1 pair of stands, saving you precious floor space for other equipment needed to get the exact sound you are looking for. The ADJ3 was designed after our tried-and-true ADJ1 design to bring out the sound that is hidden in your audio equipment. You get the same type of vertical adjustment as our other adjustable stands, with the added feature of the extra arm per stand. The offset design of one of the arms gives you the ability to place the two speakers on one stand at the same height, if needed.

Adjustability is important for speaker stands because it allows you to customize the height of your speakers, which can greatly impact your listening experience. Adjusting the height of your speakers can improve the sound quality. Speakers that are too low may not project sound effectively, while speakers that are too high can cause distortion or make it difficult to hear certain frequencies. By adjusting the height of your speaker stands, you can achieve the ideal positioning for your speakers based on your listening position and room acoustics.